

# SANDING

TOTAL STATION

STS-750 SERIES



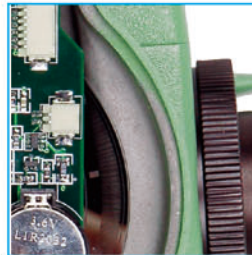
## DISTANCE MEASUREMENT

350m reflectorless measuring range covers a most common scale in your field job. With a single prism, you can reach up to 5km quickly with 2mm+2ppm accuracy.



## ANGLE MEASUREMENT

STS-750 Series adopts an absolute encoding system, which does not require initialization by 0 set, and delivers a precise and stable angle measurement with up to 2" accuracy.



## TILT COMPENSATOR

The dual-axis tilt compensator monitors the inclination of both X and Y axes, and then correct the horizontal and vertical angle reading automatically.



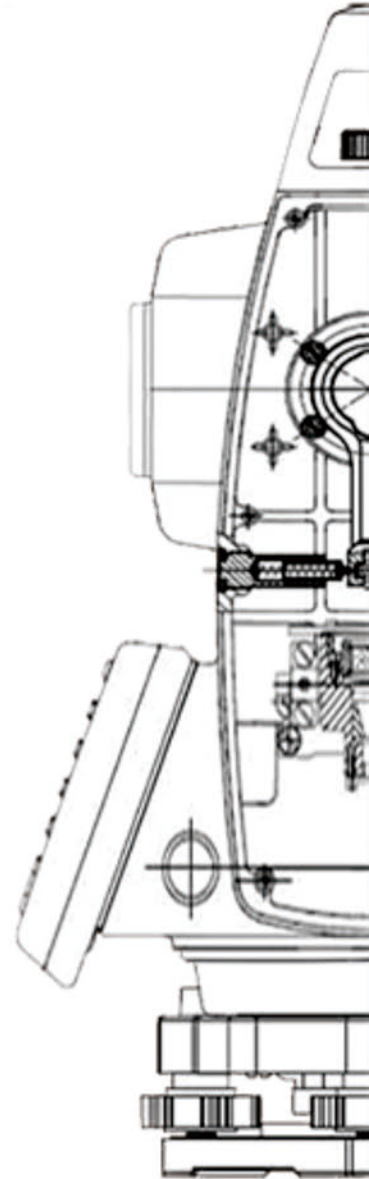
## DISPLAY & KEYS

A high definition graphic display with 8 lines and 2 sides of alphanumeric keyboards provides clear images and convenient operation,



## DATA EXCHANGE

STS-750RC series provides various options for data transfer such as SD card, USB and RS232 serial port.





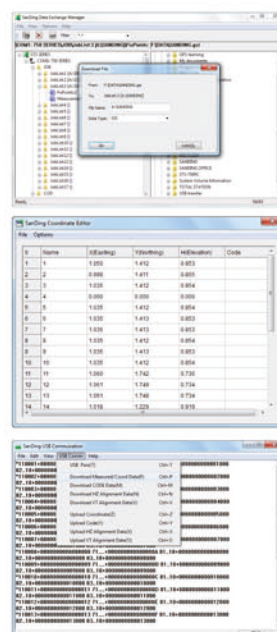
# ON-BOARD SOFTWARE & APPLICATIONS

STS-750 series is powered by a sophisticated on-board software which enables you to manipulate the total station effectively, like setting the compensation, COGO, data viewing and transfer, calibration, etc.

What's more, the on-board software also provides various essential applications on daily surveying job as below.



# SOFTWARE: SANDING SURVEY OFFICE



Power and convenient data transfer and post-processing software with concise and clear interface and user-friendly operation. User can download and upload raw data or coordinates in GSI format, edit coordinates and codes, design and edit road data, transfer GSI data to DXF file for processing in CAD, etc.

# SPECIFICATION

	STS-752L STS-755L	STS-752R STS-755R	STS-752RC STS-755RC
<b>TELESCOPE</b>			
Length		154mm	
Objective Lens Diameter		Telescope: 45mm	Distance Meter: 50mm
Magnification		30X	
Image		Erect	
Field of View		1°30'	
Resolving Power		3'	
Mini. Focus		1.0m	
<b>DISTANCE MEASUREMENT</b>			
Single Prism		5000m <sup>*1</sup>	
Non-Prism	N/A		350m <sup>*2</sup>
Accuracy -Prism Mode		±(2mm+2ppm x D)m.s.e. <sup>*3</sup>	
-Non-Prism Mode	N/A	±(5mm+3ppm x D)m.s.e. <sup>*3</sup>	
Measuring Time		Fine: 1.0s, Tracking: 0.5s <sup>*4</sup>	
Meteorologic Correction		Manual Input, Auto Correction	
Prism Constant		Manual Input, Auto Correction	
<b>ANGLE MEASUREMENT</b>			
Method		Absolute Encoding	
Detecting System		H: 2 sides, V: 2 sides	
Min. Reading		1"/5"	
Accuracy		2"/5"	
Diameter of Circle		79mm	
Vertical Angle 0°		Zenith 0°/Horizontal: 0°	
Unit		360°/400gon/6400mil	
<b>DISPLAY</b>			
Size		66mm X 42mm	
No. of Display		2	
Keyboard		Alphanumeric Key	
<b>TILT CORRECTION</b>			
Tilt Sensor	Single Axis	Dual Axis	
Method		Liquid Electric	
Range		±3'	
Accuracy		1"	
<b>LEVEL SENSITIVITY</b>			
Plate Level		30"/2mm	
Circular Level		8'/2mm	
<b>OPTICAL PLUMMET (OPTIONAL: INTERNAL LASER PLUMMET)</b>			
Image		Erect	
Magnification		3X	
Focusing Range		0.3m ~ ∞	
Field of View		5°	
<b>DATA STORAGE &amp; INTERFACE</b>			
Storage	Internal Memory: 2MB	Internal Memory: 2MB; Max. SD card: 32GB	
Data Interface	RS232C	SD-card/Mini USB/RS232C	
<b>GENERAL</b>			
Laser Class <sup>*5</sup> -EDM		Class IIIA	
-Laser Plummet		Class II	
Working Temperature		-20°C ~ +50°C	
Battery Type		Rechargeable Ni-H Battery	
Battery Voltage		DC 6V	
Working Time		8h	
Water & Dust Proof		IP54	

\*1. Good condition: No haze, visibility about 40km, overcast, no scintillation.

\*2. With Kodak Grey Card white side (90% reflectivity).

\*3. D stands for distance.

\*4. Typically, under good condition, non-prism measuring time may differ according to measuring target, observation situations, and environmental conditions.

\*5. According to FDA21 CFR Ch. 1 §.1040.

## STANDARD PACKAGE COMPONENTS

Carrying Case X 1	Screw Driver X 1
Charger X 1	Wiping Cloth X 1
Battery X 2	Lens Cover X 1
Rain Cover X 1	SD-Card X 1
Mini USB Cable X 1	Multi-port Cable X 1
Software CD X 1	User Manual X 1
Carrying Belt X 2	Warranty Card X 1
Plumb X 1	Reflecting Sheet X 1
Adjusting Pin X 1	

## OPTIONAL ACCESSORIES



TPS26  
Single Prism System



TK21SET  
Prism Set



ATS-1  
Aluminum Tripod

ATS-L  
Wooden Tripod

TPS106  
Prism Pole  
& Prism System



Dealer Info

**SANDING**

**SANDING OPTIC-ELECTRICS INSTRUMENT CO., LTD.**

Add: 2/F, Surveying Building, NO.26, Ke Yun Road, Guangzhou 510665, China  
Tel: +86-20-22826691

E-mail: export@sanding.com.cn export@sandinginstrument.com